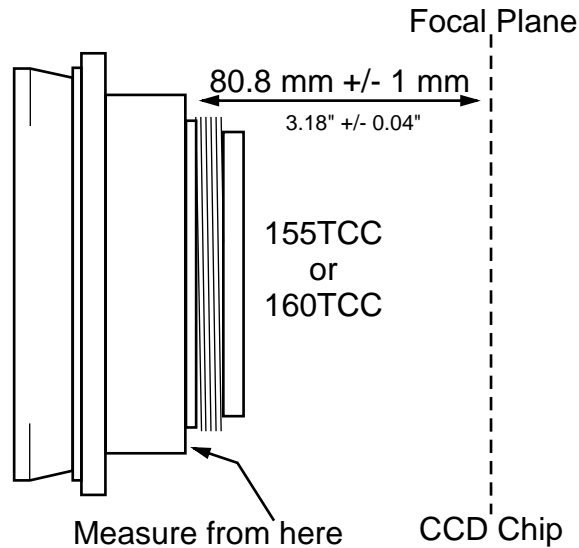
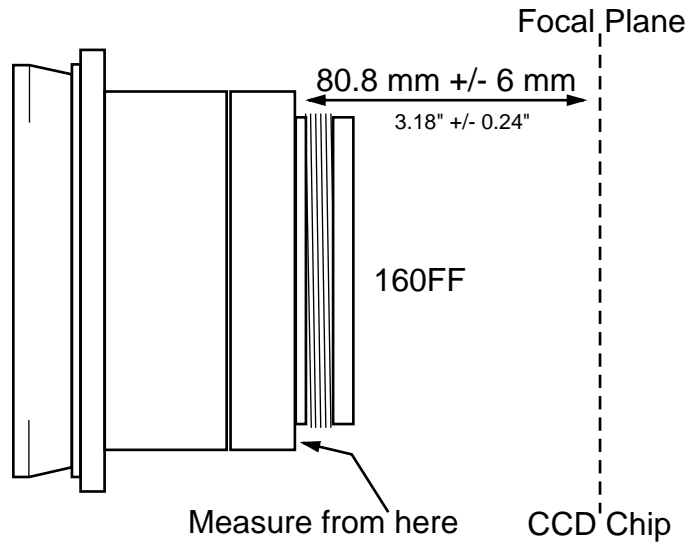


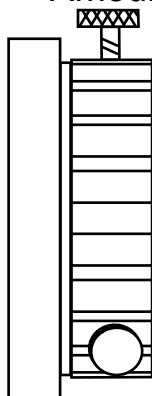
# 160FF - 160TCC - 155TCC - Proper Spacing Requirements



## Amount of spacing consumed by adapters

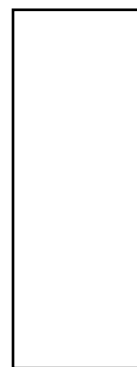


ADATCC1  
43.4 mm  
1.71"

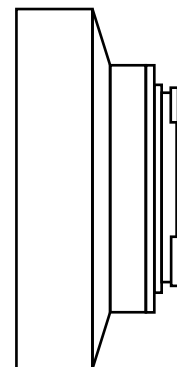


ADATCC2  
43.2 mm } w/ 160FF  
1.70" }  
38.1 mm } w/160TCC  
1.50" } or 155TCC

Please note: the ADATCC2 consumes 5.1 mm (0.20") of additional backfocus when used with the 160FF vs. either of the telecompressors. Be sure to take that difference into account when assembling your imaging train.



ADATCC3  
34.5 mm  
1.36"



ADATCCCEOS  
37 mm  
1.46"